

Evidence for high levels of vertical transmission in *Toxoplasma gondii*

G. HIDE^{1*}, E. K. MORLEY¹, J. M. HUGHES¹, O. GERWASH¹, M. S. ELMAHAISHI², K. H. ELMAHAISHI², D. THOMASSON¹, E. A. WRIGHT¹, R. H. WILLIAMS¹, R. G. MURPHY¹ and J. E. SMITH³

¹ Centre for Parasitology and Disease Research, School of Environment and Life Sciences, University of Salford, Salford, M5 4WT, UK

² Misurata Central Hospital, PO Box 65 Misurata, Libya

³ Faculty of Biological Sciences, University of Leeds, Leeds, LS2 9JT, UK

(Received 12 June 2009; reviewed 19 July 2009; accepted 22 July 2009; first published online 21 September 2009)

SUMMARY

Toxoplasma gondii is a highly ubiquitous and prevalent parasite. Despite the cat being the only definitive host, it is found in almost all geographical areas and warm blooded animals. Three routes of transmission are recognised: ingestion of oocysts shed by the cat, carnivory and congenital transmission. In natural populations, it is difficult to establish the relative importance of these routes. This paper reviews recent work in our laboratory which suggests that congenital transmission may be much more important than previously thought. Using PCR detection of the parasite, studies in sheep show that congenital transmission may occur in as many as 66% of pregnancies. Furthermore, in families of sheep on the same farm, exposed to the same sources of oocysts, significant divergent prevalences of *Toxoplasma* infection and abortion are found between different families. The data suggest that breeding from infected ewes increases the risk of subsequent abortion and infection in lambs. Congenital transmission rates in a natural population of mice were found to be 75%. Interestingly, congenital transmission rates in humans were measured at 19.8%. The results presented in these studies differ from those of other published studies and suggest that vertical transmission may be much more important than previously thought.

Key words: *Toxoplasma gondii*; vertical transmission; epidemiology; PCR; sheep; humans; mice.

INTRODUCTION

Toxoplasma gondii is one of the most ubiquitous parasites. The definitive host is the cat but it can be found in all warm blooded animals (including birds, marsupials and marine mammals). It is often highly prevalent with prevalences of 30–40% common in many species including humans (Dubey and Beattie, 1988; Tenter *et al.* 2000). The parasite is important due to the range of diseases it causes. For example, the most devastating disease outcome is miscarriage or abortion which is particularly important in humans and domestic livestock. Additionally, it can cause a wide variety of neurological diseases especially when transmitted congenitally. These can include ocular disease and hydrocephalus (Weiss and Dubey, 2009). This important role in disease is therefore of considerable concern especially as the parasite is so prevalent. An intriguing and important question, therefore, is why this parasite is so successful in both its host range and prevalence.

* Corresponding author: Geoff Hide, Centre for Parasitology and Disease, School of Environment and Life Sciences, University of Salford, Salford, UK, M5 4WT. Tel: 0044-161-295-3371. Facsimile No: 0044-161-295-5015. E-mail: g.hide@salford.ac.uk

The life cycle (Fig. 1) is well understood and three principal routes are recognised: ingestion of infective oocysts shed by the cat, consumption of undercooked meat containing *Toxoplasma* cysts and congenital transmission (Dubey, 2009*a*). Traditionally, the main route of infection is considered to be infection by oocysts deposited in faeces by the definitive host, the cat (Hutchison *et al.* 1969; Dubey *et al.* 1970; Frenkel *et al.* 1970). This would imply that a high degree of contact with cats would be required to explain the very high prevalences found in many animal and human populations. *Toxoplasma gondii* has been reported in a very wide range of species (Tenter *et al.* 2000). However, this also includes some species that would not normally come into contact with cats (Dubey, 2009*a*). For example, the parasite has been reported in marine otters (Miller *et al.* 2002), dolphins (Dubey *et al.* 2003) and arctic foxes in the Svalbard (Prestrud *et al.* 2008*a*). Analysis of *Toxoplasma* strains in different species have shown that they are generally highly clonal (reviewed in Grigg and Sundar, 2009). Clonality is usually associated with asexual reproduction. This is counter to the expectation of high genetic diversity generated by frequent infection by oocysts derived from the sexual cycle of *Toxoplasma* in the cat. Taken together, these data suggest that the

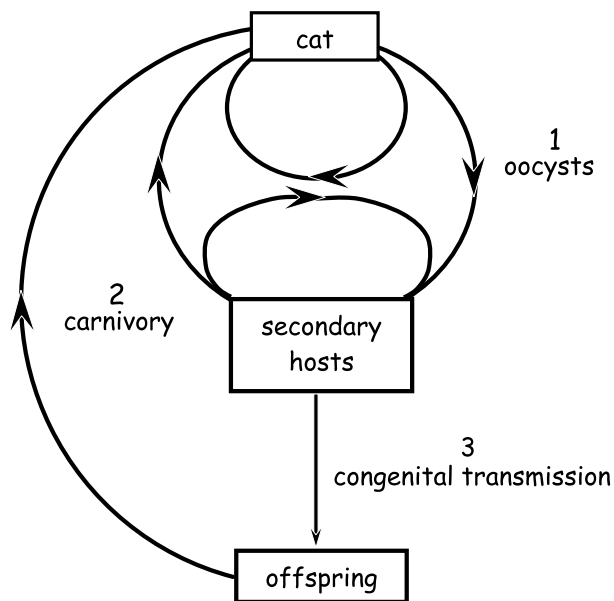


Fig. 1. The life cycle of *Toxoplasma gondii*. The three main routes of transmission are shown.

parasite may utilise transmission cycles which bypass the cat.

Some studies, based on experimental feeding of mice and detection of *T. gondii* in meat sources, have suggested that carnivory may be an important route which bypasses the cat (Aspinall *et al.* 2002; Su *et al.* 2003). A recent study of Arctic foxes from the Svalbard (an area free of cats) demonstrated frequent infection and a high degree of clonality of *Toxoplasma* strains in infected animals (Prestrud *et al.* 2008*b*). Although with no direct evidence, they speculated that this was due to carnivory. Risk association studies have shown that eating undercooked meat is a risk factor for congenital transmission in pregnant mothers (Cook *et al.* 2000; Boyer *et al.* 2005). However, a recent detailed survey of human meat sources in the USA showed that there was a low risk of infection from raw meat in humans (Dubey *et al.* 2005). Only 7 pieces of infected meat were detected from 6282 assorted meat samples collected from supermarkets across the USA. (Two of those 7 pieces of meat were from the same supermarket and it is assumed from the same animal.) Furthermore, an older study (Rawal, 1959) demonstrated little difference in the prevalence of *Toxoplasma* in a population of strict vegetarians compared to that in a population of non-vegetarians. While carnivory could contribute to the transmission of *Toxoplasma* in the absence of cats, there is little direct evidence that demonstrates this role in natural transmission cycles.

Congenital transmission offers another possible mode of parasite transmission in the absence of cats. That *Toxoplasma* can be congenitally transmitted is well established. Early studies in mice (Beverley, 1959) and sheep (Hartley and Marshall, 1957)

established the occurrence of congenital transmission which, in the case of the mice, occurred over repeated generations. Other examples of serial congenital transmission have been established in other species (e.g. Owen and Trees, 1998). Congenital transmission in humans is also well established (reviewed in Weiss and Dubey, 2009) and is an important cause of human disease. Its role in transmission of the parasite to humans has always been considered to be relatively unimportant due to the low rates of transmission, for example 1 in 1000–10 000 live births in humans (e.g. Tenter *et al.* 2000) and 1–2% in sheep (e.g. Buxton *et al.* 2007*a*). Furthermore, the often serious consequences (abortion or miscarriage) of infection with *Toxoplasma* infection during pregnancy suggest that the parasite could actually select against its own transmission by this route.

The ubiquity of this parasite and the clear evidence that the definitive host (cat) is often bypassed raises interesting and important questions as to the relative importance of different routes in natural transmission cycles. While much careful and important research has been carried out in experimental infections, there are considerable challenges in addressing quantitative questions on transmission cycles in natural systems. In this paper, we review our studies which are directed at addressing these issues and place them into context with other, sometimes conflicting, studies.

TOXOPLASMA INFECTION IN SHEEP

One way of determining the importance of transmission routes is to investigate transmission in a system where one of the routes of transmission is absent or minimal. For example, the carnivorous route could be excluded as a source of transmission in a herbivorous species such as sheep. *Toxoplasma* infection is hugely important to sheep farmers as it is the second most important cause of sheep fetopathy in the UK (DEFRA, 2007). The accepted mode of transmission of *Toxoplasma* in sheep is through the ingestion of oocysts from infected pastures, water or feed (reviewed in Dubey, 2009*b*) and less than 4% of sheep persistently transmit to their offspring. Experimental studies have shown that previous infection with *Toxoplasma* generally results in immunity to future infection and limitation of congenital infection and abortion (Beverley and Watson, 1971; McColgan *et al.* 1988; Buxton and Innes, 1995). Based on these and other data, farmers are encouraged to breed from ewes that have had previous infection with *Toxoplasma* on the basis that lifelong immunity will protect future pregnancies. If persistent vertical transmission were important then this practice would result in an increase in parasite prevalence. This is very important as farmers may be selecting for susceptibility. To gain an insight into

Table 1. Congenital transmission of *Toxoplasma gondii* in sheep during successful and unsuccessful pregnancy. SAG1 PCR was used to measure infectivity with *Toxoplasma*. Three flocks were tested: a commercial flock from a farm near Worcester, UK, a pedigree Charollais flock from the same farm (sympatric) and a Charollais flock from a different farm (allopatric) 60 miles away. Unsuccessful pregnancies were defined as involving the loss of one or more lambs during lambing. Percentages are supplied with 95% confidence levels (+/–). (Adapted from Williams *et al.* 2005)

Flock		Successful Pregnancies	Unsuccessful Pregnancies	Total
Commercial Flock	Number of pregnancies	334	58	392
	PCR-positive pregnancies	218	53	271
	Percentage congenital transmission	65% ± 5%	91% ± 7%	69% ± 5%
Sympatric Charollais	Number of pregnancies	49	24	73
	PCR-positive pregnancies	21	23	44
	Percentage congenital transmission	43% ± 14%	96% ± 8%	60% ± 11%
Allopatric Charollais	Number of pregnancies	22	2	24
	PCR-positive pregnancies	8	2	10
	Percentage congenital transmission	36% ± 20%	100% ± 0%	41% ± 20%
Total (All flocks)	Number of pregnancies	405	84	489
	PCR-positive pregnancies	247	78	325
	Percentage congenital transmission	61% ± 5%	93% ± 6%	66% ± 4%

the relative routes of transmission, we set out to directly measure the frequency of congenital transmission of *Toxoplasma* in sheep.

To measure the transmission of *Toxoplasma* from ewe to lamb, PCR amplification of parasite DNA using the primers for the SAG1 gene were used to detect parasite DNA within lamb tissues collected immediately after lambing (Duncanson *et al.* 2001; Terry *et al.* 2001). Lamb tissues were collected aseptically as follows: discarded foetally-derived umbilical cord tissue was taken from liveborn lambs following birth and brain, heart and cord samples were taken from aborted lambs (Duncanson *et al.* 2001; Terry *et al.* 2001). In these studies, lamb cord tissue was found to be a good indicator of the infection status of internal tissues as judged by comparison of cord and brain tissue from aborted lambs (Williams *et al.* 2005; Hughes *et al.* 2006). For example, a comparison of brain and cord samples from 42 aborted fetuses showed 86% agreement. The remaining 14% showed positive brain tissue and negative cord, suggesting that detection of *Toxoplasma* in cord is underestimating rather than overestimating infection within internal tissues (Williams *et al.* 2005). Extensive precautions were taken to ensure sterility, lack of contamination of samples and to evaluate the robustness of the techniques (Terry *et al.* 2001; Marshall *et al.* 2004; Williams *et al.* 2005; Hughes *et al.* 2006, 2008).

Preliminary results using a limited number of lambings showed that congenital transmission was occurring in 61% of lambings (Duncanson *et al.* 2001). In a more extensive study over several

lambings, three different flocks were examined: two sympatric flocks (ie the same farm) (commercial Suffolk Cross flock and a pedigree Charollais flock) and an allopatric flock (Charollais flock from a farm over 60 miles away). The results are presented in Table 1.

Lamb tissue was collected from a total of 489 pregnancies from all three flocks and congenital transmission was shown to be occurring in 66% of pregnancies (Table 1, adapted from Williams *et al.* 2005). The rate of congenital transmission was significantly higher (93%) in pregnancies that were unsuccessful (i.e. those where at least one lamb was born dead) ($P < 0.001$). Furthermore, perhaps surprisingly, the parasite was shown to be passed on in 61% of successful pregnancies suggesting that apparently healthy lambs may be infected and could possibly contribute to infection in future generations by vertical transmission. Detailed analysis of each of the three flocks showed that, although variation was seen between the actual values for congenital transmission, when 95% confidence limits were applied, there was no significant difference between the frequency of congenital transmission between the flocks (Williams *et al.* 2005). This shows that there is little if any genetic effect of breed on infection or abortion rates as has been suggested elsewhere (Buxton *et al.* 2007b; Dubey, 2009b).

If, as these data suggest, vertical transmission is an important route of transmission a prediction can be made: there would be a non-random distribution of prevalence of infection amongst different sheep families exposed to the same environmental

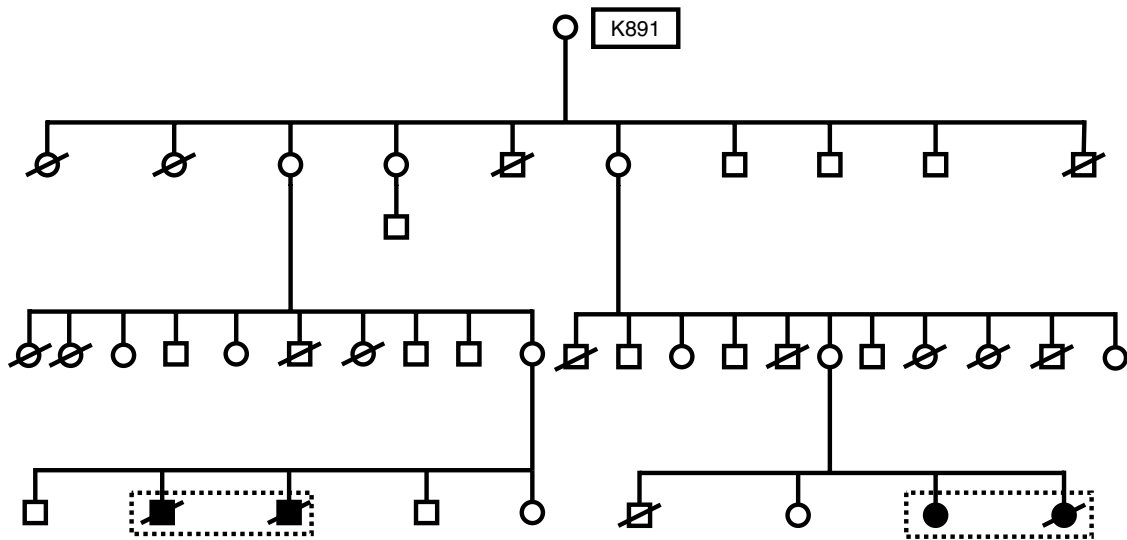


Fig. 2. Tree for family K891 showing a high frequency of abortion and *T. gondii* infection. Symbols are as follows: Female; ○ Known infected female; ● Aborted female; ∅ Aborted and infected female; ♂ Male; □ Known infected male; ■ Aborted and infected male, ▣ Aborted male; ♀ Sex not recorded. Δ Abortion, sex not recorded. ▢ Individuals in side the box, □ were tested for congenital *T. gondii* infection. Numbers allocated to families are derived from pedigree records but coded for anonymity.

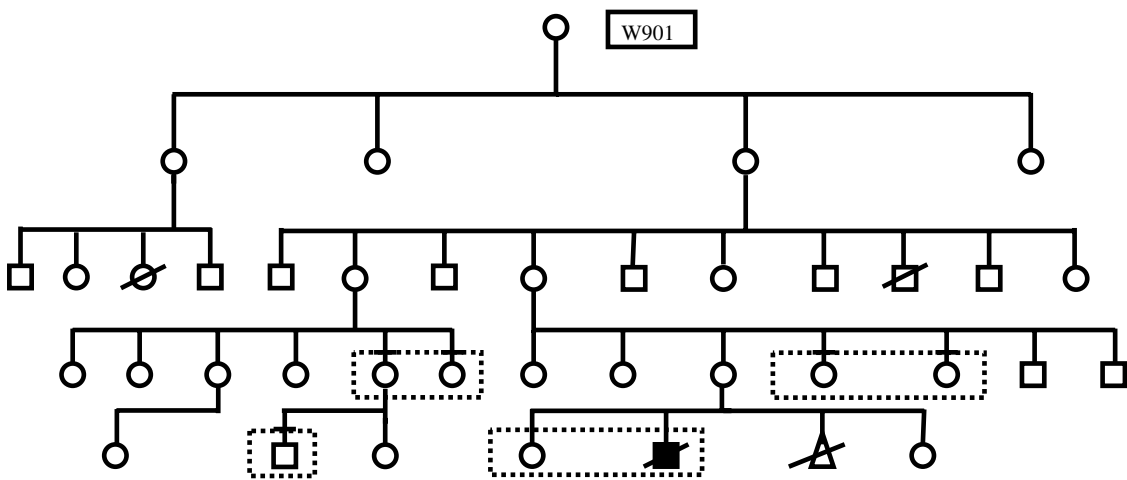


Fig. 3. Tree for family W901 showing a low frequency of abortion and *T. gondii* infection. See Figure 2 legend for key to symbols.

conditions (i.e. on a single farm). The alternative prediction is: there would be a random distribution of prevalence of infection amongst different sheep families exposed to the same environmental conditions (i.e. eating and drinking from the same sources).

Using a pedigree Charollais flock on a single farm, this hypothesis was tested (Morley *et al.* 2005). Pedigree records taken from 1992–2003 were examined for the flock to construct family trees and to determine the frequencies of abortion in each family (for example, Fig. 2 and Fig. 3). During the period 2000–2003, lamb umbilical cord samples were collected from the majority of these families (where family members were still in existence) and tested for *Toxoplasma* infectivity by SAG1-PCR. Considerable

variation was observed in the frequency of abortion in different families, with some high aborting families (e.g. Fig. 2) with abortion levels as high as 48% and others with low or zero abortion rates (e.g. Fig. 3). Table 2 shows abortion rates for each of 27 families (adapted from Morley *et al.* 2005). There was a significant difference from the expectations generated from a random abortion distribution ($P < 0.01$) showing that different families were exhibiting different rates of abortion.

Measurement of *Toxoplasma* infection showed a highly uneven distribution of prevalence with some families showing 100% of lambs as SAG1 positive and others with 0% (Table 2, adapted from Morley *et al.* 2005). A significant difference was observed from the even distribution expected from random

Table 2. Frequency of abortion and infection with *Toxoplasma* in different families of Charollais sheep on a single sheep farm. (Adapted from Morley *et al.* 2005). Family names are derived from pedigree records but coded for anonymity

Family Name	No. of family members	Frequency of abortion %	Number of lambs tested by SAG1 PCR	Frequency PCR positive lambs %
A901	23	48	5	100
K891	42	40	4	100
G921	30	40	7	86
L921	13	38	2	100
F891	70	36	6	83
C921	21	33	6	83
E921	15	33	2	100
M981	10	30	4	75
B921	28	29	8	75
N971	11	27	1	100
H921	74	26	15	75
O921	38	26	11	73
P881	17	24	3	67
Q911	22	23	5	60
R891	26	23	2	50
D971	9	22	3	100
S921	40	20	5	20
I921	40	20	10	20
T941	40	18	17	18
U911	22	18	5	20
V921	31	13	9	22
W901	34	12	6	17
X891	12	8	7	14
Y901	26	8	3	0
Z921	19	5	2	0
J921	37	3	5	0
AA891	15	0	2	0

exposure ($P < 0.01$) to oocysts. When families were ranked from high to low frequency for both *Toxoplasma* infection and abortion, there was a significant correlation ($R = 0.89$, $n = 27$, $P < 0.01$) between *Toxoplasma* prevalence and abortion frequency.

These data suggest that both *Toxoplasma* infection and abortion frequency are not randomly distributed as would be expected if the source of infection were from a common source such as the animal feed. Furthermore, the strong correlation between frequency of *Toxoplasma* infection and frequency of abortion suggests that the source of *Toxoplasma* infection and abortion may be linked. Overall, these results support the hypothesis that high levels of vertical transmission are occurring in sheep.

If vertical transmission is occurring at relatively high frequency and generating families with high frequencies of abortion, this would suggest that there is an increased risk of abortion due to *Toxoplasma* when breeding from ewes from these families. It also brings into question the concepts of lifelong immunity after infection and the practice of breeding from infected ewes. To investigate this question, the family trees of sheep families were investigated to determine the frequency of infection and abortion in

subsequent lambings from the same ewe (Morley *et al.* 2008). Using the sample set previously described (Morley *et al.* 2005), 29 ewes were identified that gave birth to successive lambs during the period when lambs were tested for *Toxoplasma* infection by PCR. Infected lambs were born in 31% of these successive pregnancies and 67% of those successive infections resulted in abortion (i.e. 21% overall of the successive lambs). These results demonstrate that prior infection and abortion does not provide protection for subsequent pregnancies. The risk of a subsequent infected lamb occurring following birth of an infected lamb was 69% and the risk of abortion in a subsequent lamb was 55% (Morley *et al.* 2008). These are high risks suggesting that it may not be wise to breed from infected ewes.

To date, the importance of vertical transmission in sheep has not been universally accepted. There is a considerable body of evidence that does not support this hypothesis (reviewed in Buxton *et al.* 2006, 2007*a,b*; Rodger *et al.* 2006; Dubey, 2009*b*; Innes *et al.* 2009 – in this special issue). While the implications of this research are extremely important for sheep husbandry and health, it will be necessary to conduct further research to reconcile conflicting hypotheses.

Table 3. Congenital transmission of *Toxoplasma gondii* in a natural population of mice (*Mus domesticus*). Summary of the results of the analysis of pregnant mice for infection with *Toxoplasma gondii*. Infected mice were defined as those from which an amplified SAG-1 gene product was obtained. Frequency of congenital transmission per pregnancy was defined as those pregnancies where at least 1 foetus was infected. (Adapted from Marshall *et al.* 2004)

	No. of pregnant females	No. of litters containing at least one infected foetus	Number of foetuses	Number of infected foetuses	Frequency of transmission (%) per pregnancy
Infected	12	12	63	47	100%
Uninfected	4	0	15	0	0%
Total	16	12	78	47	75%

Table 4. Congenital transmission of *Toxoplasma gondii* in humans. SAG1 PCR was used to measure infectivity of human umbilical cord samples with *Toxoplasma gondii*. Unsuccessful pregnancies were defined as involving the loss of one or more baby during birth. Percentages are supplied with 95% confidence levels (+/–)

	Successful Pregnancies	Unsuccessful Pregnancies	Total Pregnancies
Number of pregnancies	119	2	121
PCR-positive pregnancies	24	0	24
Percentage congenital transmission	20.1% ± 7.2%	0% ± 0%	19.8% ± 7.1%

IMPORTANCE OF CONGENITAL TRANSMISSION IN OTHER ANIMALS

There is a large body of literature on congenital transmission in other animals (see Tenter *et al.* 2000 for review). We wished to investigate this question using similar methodologies to our sheep studies. Specifically, we wished to determine whether congenital transmission is a general phenomenon in natural populations of other mammals. We investigated this question using a wild population of mice (*Mus domesticus*). Two hundred mice were trapped from the Cheetham Hill area of Manchester as part of a pest control study (Marshall *et al.* 2004; Murphy *et al.* 2008). These mice were tested for *Toxoplasma* infection by SAG1 PCR amplification from mouse brain tissue. The prevalence in this population was very high (59%) compared to other reports from studies in mice (e.g. 3% – Dubey *et al.* 1995; 6.5% – Kijlstra *et al.* 2008). Of these 200 mice, 16 were found to be pregnant and 12 of these were infected with *Toxoplasma* (Table 3, adapted from Marshall *et al.* 2004). A total of 78 foetuses from these 16 animals were tested using the SAG1 PCR. As expected all foetuses from the negative mothers were negative while all positive mothers carried at least one positive foetus. This gave an overall congenital transmission rate of 75% from the cohort of 16 mice but 100% in those females determined to be infected. This study provides the first evidence that congenital transmission does occur efficiently in natural populations of mice.

IMPORTANCE OF CONGENITAL TRANSMISSION IN HUMANS

The finding in sheep that there was a high frequency of SAG1-positive lambs born which were apparently healthy (Duncanson *et al.* 2001; Williams *et al.* 2005) raised the question as to whether this occurred in humans. The majority of studies suggest that congenital transmission occurs at low frequency (reviewed in Tenter *et al.* 2000; Dubey and Jones, 2008) with rates of 1 in 1000 to 1 in 10 000 live births reported. Sampling strategies in humans are notoriously difficult to conduct and are often based on clinical need. We used PCR testing of umbilical cord tissue, obtained at birth, to measure the infection rate in human babies. In a preliminary study conducted in Libya (Hide *et al.* 2007), it was shown that 24 PCR-positive samples were obtained from 121 pregnancies (Table 4) suggesting congenital transmission rates of 19.8%. Two of the pregnancies were unsuccessful and resulted in miscarriages but neither were associated with *Toxoplasma*. Thirteen of the PCR-positive samples were strain typed using the SAG3 gene by direct PCR amplification from the cord DNA samples. These included 10 SAG3 type I, 2 type II and 1 type III. The remaining samples could not be amplified to a sufficient level for typing. Studies in sheep showed that there was a reliable correlation between SAG1 positive cord tissue and SAG1 positivity in internal organs (Williams *et al.* 2005). Thus there is strong evidence that these babies are

carrying *Toxoplasma* DNA despite being apparently healthy.

DISCUSSION

In the sequence of investigations reviewed here, we set out to consider the importance of the vertical route of transmission of *Toxoplasma gondii* using a PCR-based detection assay. In the ovine host, the PCR data show that this mode of transmission may be much higher than previously thought (Duncanson *et al.* 2001; Williams *et al.* 2005). As sheep will not acquire significant infection by the carnivory route, this reinforces the view that vertical transmission may be important in sheep. An uneven distribution of infection and abortion frequency in different sheep families exposed to the same environmental conditions (Morley *et al.* 2005) supports the view that there is either a genetic component (Buxton *et al.* 2007a) to infection and abortion or that there is vertical transmission of the parasite. The genetic component is unlikely since the rams used to mate with ewes were the same for all ewes irrespective of which family they came from (although different rams were used in different years). Furthermore, the overall incidence of vertical transmission was no different in other flocks (including different breeds) measured at the same time suggesting that there was not a genetic explanation for the phenomenon. An important observation was the occurrence of multiple abortion and infection from lambs born to a single ewe in sequential pregnancies. This is thought not to occur with *Toxoplasma* but a number of instances of it were recorded in these studies (Morley *et al.* 2008). There may be an important need to review advice given on the husbandry of sheep. There is currently not consensus on the importance of vertical transmission of *Toxoplasma* in sheep (Buxton *et al.* 2007a; Dubey 2009b; Innes *et al.* 2009) but farmers are currently encouraged to breed from ewes with *Toxoplasma* infection on the basis of acquisition of lifelong immunity. We could be selecting for susceptibility to infection and this is an important human food source. Therefore this mode of transmission requires further investigation.

Congenital infection in humans is widely reported to be a relatively rare occurrence and often associated with severe pathology in the recipients. Our data suggest that transmission by this route may be more important than previously considered. However, the overall frequency of congenital transmission we observed in humans was lower than that observed in the sheep, suggesting that perhaps other transmission routes such as consumption of infected food and cats are also contributing to infection rates.

There are discrepancies between our data and other published results which generally show much

lower rates of congenital transmission in both sheep (Dubey, 2009b) and humans (Dubey and Jones, 2008). Our studies are based on PCR alone, while the majority of other studies are based on a variety of serological methods. Initially, the PCR and serological approaches need to be reconciled (Dubey, 2009b). A key requirement will be the need to have as sensitive a screen as possible rather than reliance on accepted or traditional methodology in this important area of research.

There are other differences in the modes in which these studies are conducted. Many studies are based on experimental infection of animals rather than using naturally infected animals and humans as reported here. Two modes of congenital infection also exist – exogenous and endogenous transplacental transmission (Trees and Williams, 2005). These different modes of transmission may have differing effects on the foetal immune system perhaps resulting in poor detection of infected foetuses by serological methods. For example, congenitally infected rat pups have been shown to be seronegative despite demonstrable *Toxoplasma* tissue cysts being observed (Dubey *et al.* 1997). Additionally our data are not consistent with an age prevalence effect, again based primarily on serological data, that is widely reported in toxoplasmosis (Dubey and Jones, 2008). It is unclear at present why these differences exist and further research is required to elucidate these questions.

The highly clonal nature of *Toxoplasma* genotypes (e.g. Sibley and Boothroyd, 1992), provides evidence that the parasite must have asexual transmission cycles which frequently bypass the definitive host, the cat. Previous work has pointed to transmission in food as the principle route for this propagation (Su *et al.* 2003, Aspinall *et al.* 2002). As a possible alternative, the clonality of *Toxoplasma* could equally well be explained by frequent vertical transmission. It is likely that the high degree of ubiquity and high prevalence of *Toxoplasma gondii* is generated by an interaction of all transmission routes. Therefore, as demonstrated by the body of work reviewed in this paper, the role of vertical transmission in the success of *Toxoplasma gondii* merits further research.

ACKNOWLEDGEMENTS

We would like to thank various funding agencies that have supported aspects of this work over the years: Wellcome Trust, Perry Foundation, Yorkshire Agricultural Society and University of Salford. We would like to thank several other co-authors of previous papers, who although have not contributed directly to this paper, have contributed to the development of this work: Drs Phil Duncanson, Rebecca Terry, Peter Marshall, Alan Maiden and David Oldfield. We would also like to acknowledge the helpful comments of anonymous referees that have improved this manuscript.

REFERENCES

- Aspinall, T. V., Marlee, D., Hyde, J. E. and Sims, P. F. G.** (2002). Prevalence of *Toxoplasma gondii* in commercial meat products as monitored by polymerase chain reaction – food for thought? *International Journal for Parasitology* **32**, 1193–1199.
- Beverley, J. K. A.** (1959). Congenital transmission of Toxoplasmosis through successive generation of mice. *Nature* **183**, 1348–1349.
- Beverley, J. K. A. and Watson, W. A.** (1971). Prevention of experimental and naturally occurring ovine abortion due to toxoplasmosis. *Veterinary Record* **88**, 39–41.
- Boyer, K. M., Holfels, E., Roizen, N., Swisher, C., Mack, D., Remington, J., Withers, S., Meier, P. and McLeod, R.** (2005). Risk factors for *Toxoplasma gondii* infection in mothers of infants with congenital toxoplasmosis: implications for prenatal management and screening. *American Journal of Obstetrics and Gynecology* **192**, 564–571.
- Buxton, D. and Innes, E. A.** (1995). A commercial vaccine for ovine toxoplasmosis. *Parasitology* **110**, 11–16.
- Buxton, D., Maley, S. W., Wright, S. E., Rodger, S., Bartley, P. and Innes, E. A.** (2007a). *Toxoplasma gondii* and ovine toxoplasmosis: New aspects of an old story. *Veterinary Parasitology* **149**, 25–28.
- Buxton, D., Maley, S. W., Wright, S. E., Rodger, S., Bartley, P. and Innes, E. A.** (2007b). Ovine toxoplasmosis: transmission, clinical outcome and control. *Parassitologia* **49**, 219–221.
- Buxton, D., Rodger, S. M., Maley, S. W. and Wright, S. E.** (2006). Toxoplasmosis: The possibility of vertical transmission. *Small Ruminant Research* **62**, 43–46.
- Cook, A. J. C., Gilbert, R. E., Buffolano, W., Zufferey, J., Petersen, E., Jenum, P. A., Foulon, W., Semprini, A. E. and Dunn, D. T.** (2000). Sources of *Toxoplasma* infection in pregnant women: European multicentre case control study. *British Medical Journal* **321**, 142–147.
- DEFRA** (2007). Veterinary Surveillance Report 2007 – VIDA. *Veterinary Laboratories Agency*. ISBN 1 8995 1331 0.
- Dubey, J. P.** (2009a). History of the discovery of the life cycle of *Toxoplasma gondii*. *International Journal for Parasitology* **39**, 877–882.
- Dubey, J. P.** (2009b). Toxoplasmosis in sheep – The last 20 years. *Veterinary Parasitology* **163**, 1–14.
- Dubey, J. P. and Beattie, C. P.** (1988). *Toxoplasmosis of Animals and Man*, CRC Press, Boca Raton, Florida.
- Dubey, J. P., Hill, D. E., Jones, J. L., Hightower, A. W., Kirkland, E., Roberts, J. M., Marcet, P. L., Lehmann, T., Vianna, M. C. B., Miska, K., Sreekumar, C., Kwok, O. C. H., Shen, S. K. and Gamble, H. R.** (2005). Prevalence of viable *Toxoplasma gondii* in beef, chicken and pork from retail meat stores in the United States: risk assessment to consumers. *Journal of Parasitology* **91**, 1082–1093.
- Dubey, J. P. and Jones, J. L.** (2008). *Toxoplasma gondii* infection in humans and animals in the United States. *International Journal for Parasitology* **38**, 1257–1278.
- Dubey, J. P., Miller, N. L. and Frenkel, J. K.** (1970). The *Toxoplasma gondii* oocyst from cat feces. *Journal of Experimental Medicine* **132**, 636–662.
- Dubey, J. P., Shen, S. K., Kwok, O. C. and Thulliez, P.** (1997). Toxoplasmosis in rats (*Rattus norvegicus*): congenital transmission to first and second generation offspring and isolation *Toxoplasma gondii* from seronegative rats. *Parasitology* **115**, 9–14.
- Dubey, J. P., Weigel, R. M., Siegel, A. M., Thulliez, P., Kitron, U. D., Mitchell, M. A., Mannelli, A., Mateuspinillia, N. E., Shen, S. K., Kwok, O. C. H. and Todd, K. S.** (1995). Sources and reservoirs of *Toxoplasma gondii* infection on 47 swine farms in Illinois. *Journal of Parasitology* **81**, 723–729.
- Dubey, J. P., Zarnke, R., Thomas, N. J., Wong, S. K., Van Bonn, W., Briggs, M., Davis, J. W., Ewing, R., Mensea, M., Kwok, O. C. H., Romand, S. and Thulliez, P.** (2003). *Toxoplasma gondii*, *Neospora caninum*, *Sarcocystis neurona*, and *Sarcocystis canis*-like infections in marine mammals. *Veterinary Parasitology* **116**, 275–296.
- Duncanson, P., Terry, R. S., Smith, J. E. and Hide, G.** (2001). High levels of congenital transmission of *Toxoplasma gondii* in a commercial sheep flock. *International Journal for Parasitology* **31**, 1699–1703.
- Frenkel, J. K., Dubey, J. P. and Miller, N. L.** (1970). *Toxoplasma gondii* in cats: fecal stages identified as coccidian oocysts. *Science* **167**, 893–896.
- Grigg, M. E. and Sundar, N.** (2009). Sexual recombination punctuated by outbreaks and clonal expansions predicts *Toxoplasma gondii* population genetics. *International Journal for Parasitology* **39**, 925–933.
- Hartley, W. J. and Marshall, S. C.** (1957). Toxoplasmosis as a cause of ovine perinatal mortality. *New Zealand Veterinary Journal* **5**, 119–124.
- Hide, G., Gerwash, O., Morley, E. K., Williams, R. H., Hughes, J. M., Thomasson, D., Elmahaishi, M. S., Elmahaishi, K. H., Terry, R. S. and Smith, J. E.** (2007). Does vertical transmission contribute to the prevalence of toxoplasmosis? *Parassitologia* **49**, 223–226.
- Hughes, J. M., Thomasson, D., Craig, P. S., Georgin, S., Pickles, A. and Hide, G.** (2008). *Neospora caninum*: detection in wild rabbits and investigation of co-infection with *Toxoplasma gondii* by PCR analysis. *Experimental Parasitology* **120**, 255–260.
- Hughes, J. M., Williams, R. H., Morley, E. K., Cook, D. A. N., Terry, R. S., Murphy, R. G., Smith, J. E. and Hide, G.** (2006). The Prevalence of *Neospora caninum* and co-infection with *Toxoplasma gondii* by PCR analysis in naturally occurring mammal populations. *Parasitology* **132**, 29–36.
- Hutchison, W. M., Dunachie, J. F., Siim, J. C. and Work, K.** (1969). Life cycle of *Toxoplasma gondii*. *British Medical Journal* **4**, 806–806.
- Innes, E. A., Bartley, P. M., Buxton, D. and Katzer, F.** (2009). Ovine toxoplasmosis. *Parasitology* **136**, 1887–1894.
- Kijlstra, A., Meerburg, B., Cornelissen, J., De Craeye, S., Vereijken, P. and Jongert, E.** (2008). The role of rodents and shrews in the transmission of *Toxoplasma gondii* to pigs. *Veterinary Parasitology* **156**, 183–190.

- Marshall, P. A., Hughes, J. M., Williams, R. H., Smith, J. E., Murphy, R. G. and Hide, G.** (2004). Detection of high levels of congenital transmission of *Toxoplasma gondii* in natural urban populations of *Mus domesticus*. *Parasitology* **128**, 39–42.
- McColgan, C., Buxton, D. and Blewett, D. A.** (1988). Titration of *Toxoplasma gondii* oocysts in non-pregnant sheep and the effects of subsequent challenge during pregnancy. *Veterinary Record* **123**, 467–470.
- Miller, M. A., Gardner, I. A., Kreuder, C., Paradies, D. M., Worcester, K. R., Jessup, D. A., Dodd, E., Harris, M. D., Ames, J. A., Packham, A. E. and Conrad, P. A.** (2002). Coastal freshwater runoff is a risk factor for *Toxoplasma gondii* infection of southern sea otters (*Enhydra lutris nereis*). *International Journal for Parasitology* **32**, 997–1006.
- Morley, E. K., Williams, R. H., Hughes, J. M., Terry, R. S., Duncanson, P., Smith, J. E. and Hide, G.** (2005). Significant familial differences in the frequency of abortion and *Toxoplasma gondii* infection within a flock of Charollais sheep. *Parasitology* **131**, 181–185.
- Morley, E. K., Williams, R. H., Hughes, J. M., Thomasson, D., Terry, R. S., Duncanson, P., Smith, J. E. and Hide, G.** (2008). Evidence that primary infection of Charollais sheep with *Toxoplasma gondii* may not prevent foetal infection and abortion in subsequent lambings. *Parasitology* **135**, 169–173.
- Murphy, R. G., Williams, R. H., Hughes, J. M., Hide, G., Ford, N. J. and Oldbury, D. J.** (2008). The urban house mouse (*Mus domesticus*) as a reservoir of infection for the human parasite *Toxoplasma gondii*: an unrecognised public health issue? *International Journal of Environmental Health Research* **18**, 177–185.
- Owen, M. R. and Trees, A. J.** (1998). Vertical transmission of *Toxoplasma gondii* from chronically infected house (*Mus musculus*) and field (*Apodemus sylvaticus*) mice determined by polymerase chain reaction. *Parasitology* **116**, 299–304.
- Prestrud, K. W., Asbakk, K., Mørk, T., Fuglei, E., Tryland, M. and Su, C.** (2008*b*). Direct high-resolution genotyping of *Toxoplasma gondii* in arctic foxes (*Vulpes lagopus*) in the remote arctic Svalbard archipelago reveals widespread clonal Type II lineage. *Veterinary Parasitology* **158**, 121–128.
- Prestrud, K. W., Dubey, J. P., Asbakk, K., Fuglei, E. and Su, C.** (2008*a*). First isolate of *Toxoplasma gondii* from arctic fox (*Vulpes lagopus*) from Svalbard. *Veterinary Parasitology* **151**, 110–114.
- Rawal, B. D.** (1959). Toxoplasmosis. A dye-test on sera from vegetarians and meat eaters in Bombay. *Transactions of the Royal Society for Tropical Medicine and Hygiene* **53**, 61–63.
- Rodger, S. M., Maley, S. W., Wright, S. E., Mackellar, A., Wesley, F., Sales, J. and Buxton, D.** (2006). Role of endogenous transplacental transmission in toxoplasmosis in sheep. *Veterinary Record* **159**, 768–772.
- Sibley, L. D. and Boothroyd, J. C.** (1992). Virulent strains of *Toxoplasma gondii* comprise a single clonal lineage. *Nature* **359**, 82–85.
- Su, C., Evans, D., Cole, R. H., Kissinger, J. C., Ajioka, J. W. and Sibley, L. D.** (2003). Recent expansion of *Toxoplasma* through enhanced oral transmission. *Science* **299**, 414–416.
- Tenter, A. M., Heckeroth, A. R. and Weiss, L. M.** (2000). *Toxoplasma gondii*: from animals to humans. *International Journal for Parasitology* **30**, 1217–1258.
- Terry, R. S., Smith, J. E., Duncanson, P. and Hide, G.** (2001). MGE-PCR: a novel approach to the analysis of *Toxoplasma gondii* strain differentiation using mobile genetic elements. *International Journal for Parasitology* **31**, 155–161.
- Trees, A. J. and Williams, D. J. L.** (2005). Endogenous and exogenous transplacental infection in *Neospora caninum* and *Toxoplasma gondii*. *Trends in Parasitology* **21**, 558–561.
- Weiss, L. M. and Dubey, J. P.** (2009). Toxoplasmosis: A history of clinical observations. *International Journal for Parasitology* **39**, 895–901.
- Williams, R. H., Morley, E. K., Hughes, J. M., Duncanson, P., Terry, R. S., Smith, J. E. and Hide, G.** (2005). High levels of congenital transmission of *Toxoplasma gondii* in longitudinal and cross-sectional studies on sheep farms provides evidence of vertical transmission in ovine hosts. *Parasitology* **130**, 301–307.